



**CTL AMERICA**  
rethink what's possible®

## MATISSE™ PEEK

### ANTERIOR CERVICAL INTERBODY SYSTEM

The MATISSE™ PEEK ACIF Cage system is engineered to accommodate a wide range of patient anatomies and surgeon preferences and is available in various footprints, heights and lordotic angles.

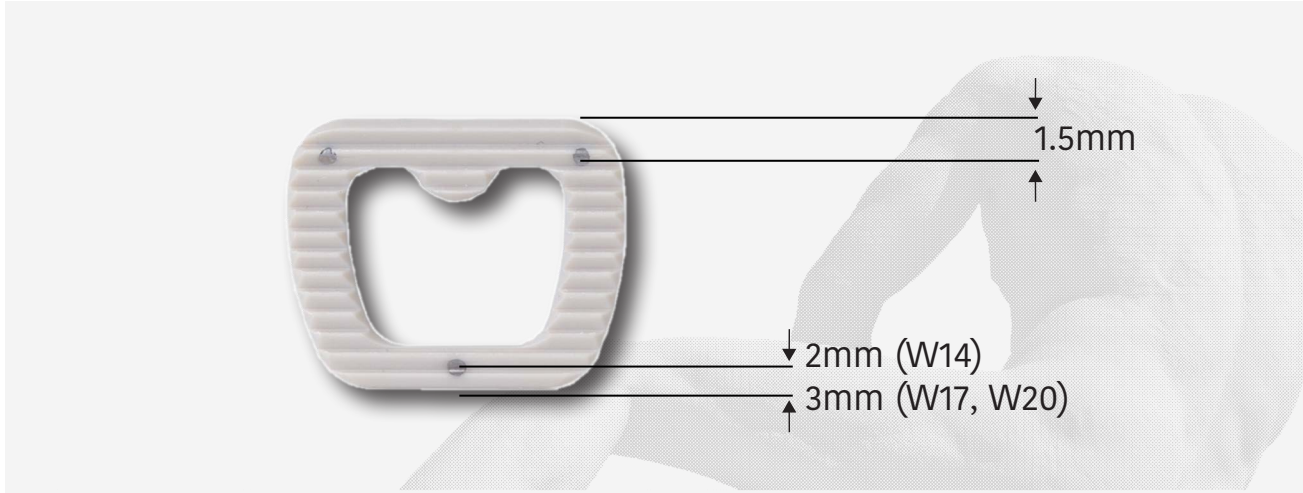
Design that  
accommodates various  
patient anatomies and  
resists migration



Distinct radiographic  
markers ensure proper  
implant placement

Large graft window  
allows for maximum  
graft volume and  
greater likelihood of  
fusion

Made from a PEEK  
radiolucent polymer



Matisse™ PEEK ACIF Cage, 0 Degree

W14 x L12		W17 x L14	Height (mm)
Part Number	Part Number	Part Number	
013.4405	013.4735		5
013.4406	013.4736		6
013.4407	013.4737		7
013.4408	013.4738		8
013.4409	013.4739		9
013.4410	013.4740		10

Matisse™ PEEK ACIF Cage, 6 Degree

W14 x L12		W17 x L14	Height (mm)
Part Number	Part Number	Part Number	
013.4115	013.4155		5
013.4116	013.4156		6
013.4117	013.4157		7
013.4118	013.4158		8
013.4119	013.4159		9
013.4120	013.4160		10

\*Optional PEEK W20 X L16 sizes available upon request

\*Optional 11 & 12mm heights available upon request

\*10 deg. available upon request